

## Weighing Module



### FEATURES

- High accuracy
- Easy installation
- For harsh environmental conditions
- ATEX approved for hazardous areas
- Movable load point
- Allow movement caused by thermal expansion
- No extra mounting
- High capacity 500 - 1000kN and 1500 - 2000kN

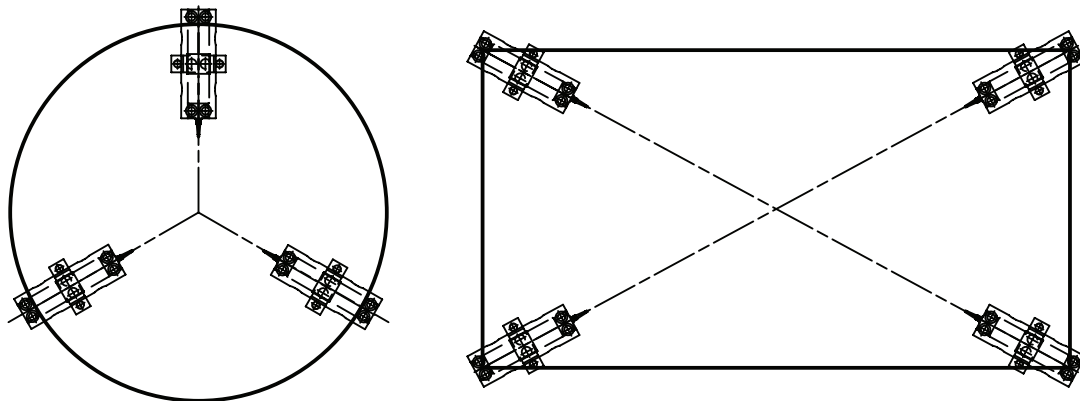
### DESCRIPTION

Load cell module for heavy duty application with moveable load point in KIS principal. This load module is designed for harsh environment with high accuracy.

### APPLICATIONS

- Tank weighing
- Vessel weighing
- Silo weighing
- Ladle weighing

### OUTLINE DIMENSIONS in mm



SPECIFICATIONS			
PARAMETER		VALUE	UNIT
Rated load (R.L.)		500, 1000, 1500, 2000	kN
Combined error (terminal)		±0.1	% of R.O.
Repeatability		0.02	% of R.O.
Overload <sup>(1)</sup>	safe	100	% of R.L.
	ultimate	200	% of R.L.
Input voltage	recommended	10	V DC or AC
	maximum	18	V DC or AC
Input resistance		350±5	Ω
Output resistance		350±0.5	Ω
Rated output (R.O.)		1.0	mV/V
Tolerance of R.O.		±0.25	% of R.O.
Zero balance		±2	% of R.O.
Tolerance of shunt calibration values		±0.25	% of value <sup>(2)</sup>
Creep at R.L. after 30min		±0.03	% of R.L.
Temperature range		-40 to +80 (+100) <sup>(3)</sup>	°C
Temperature effect (-10 to +50°C)	on output	±0.005	% of output/°C
	on zero balance	±0.005	% of R.O./°C
Insulation resistance at 200V DC		>4	GΩ
Material		Yellow chromate steel	
Electrical connection		10m shielded four conductor cable	
Degree of protection		IP67	

**Notes**

<sup>(1)</sup> Referring to recommended loading case

<sup>(2)</sup> See calibration sheet of the load cell.

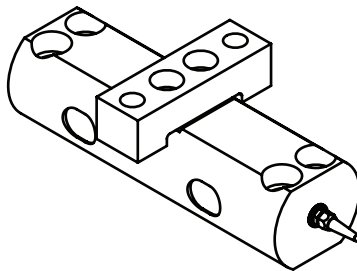
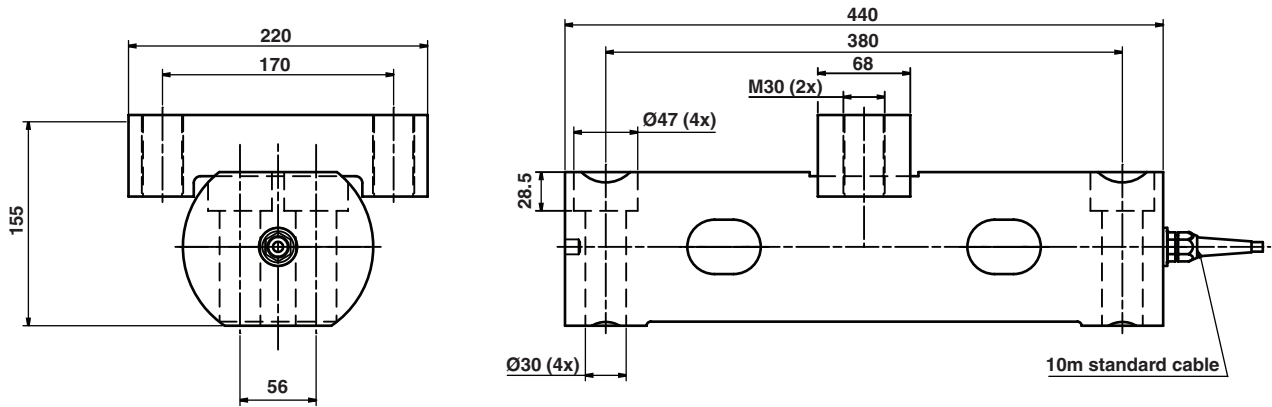
ATEX certified versions for use in explosive atmospheres are available: II 1GD.

EEx ia IIC T4 T<sub>amb</sub> = 60°C

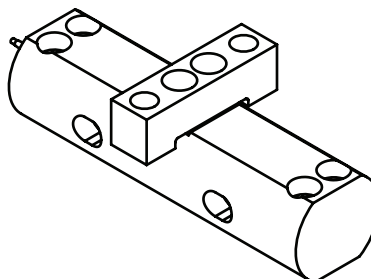
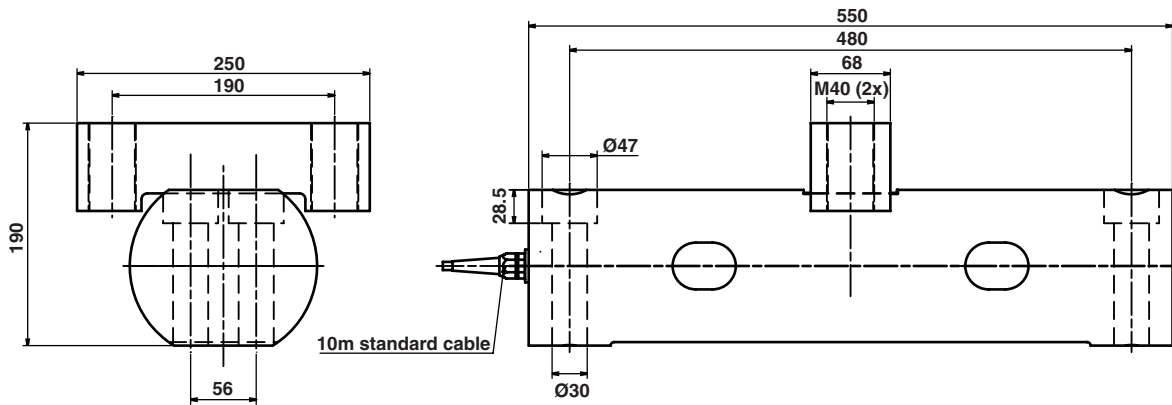
<sup>(3)</sup> -40 to +100°C on demand



**DIMENSIONS 500 - 1000kN**



**DIMENSIONS 1500 - 2000kN**



## Disclaimer

All product specifications and data are subject to change without notice.

Vishay Precision Group, Inc., its affiliates, agents, and employees, and all persons acting on its or their behalf (collectively, "Vishay Precision Group"), disclaim any and all liability for any errors, inaccuracies or incompleteness contained herein or in any other disclosure relating to any product.

Vishay Precision Group disclaims any and all liability arising out of the use or application of any product described herein or of any information provided herein to the maximum extent permitted by law. The product specifications do not expand or otherwise modify Vishay Precision Group's terms and conditions of purchase, including but not limited to the warranty expressed therein, which apply to these products.

No license, express or implied, by estoppel or otherwise, to any intellectual property rights is granted by this document or by any conduct of Vishay Precision Group.

The products shown herein are not designed for use in medical, life-saving, or life-sustaining applications unless otherwise expressly indicated. Customers using or selling Vishay Precision Group products not expressly indicated for use in such applications do so entirely at their own risk and agree to fully indemnify Vishay Precision Group for any damages arising or resulting from such use or sale. Please contact authorized Vishay Precision Group personnel to obtain written terms and conditions regarding products designed for such applications.

Product names and markings noted herein may be trademarks of their respective owners.